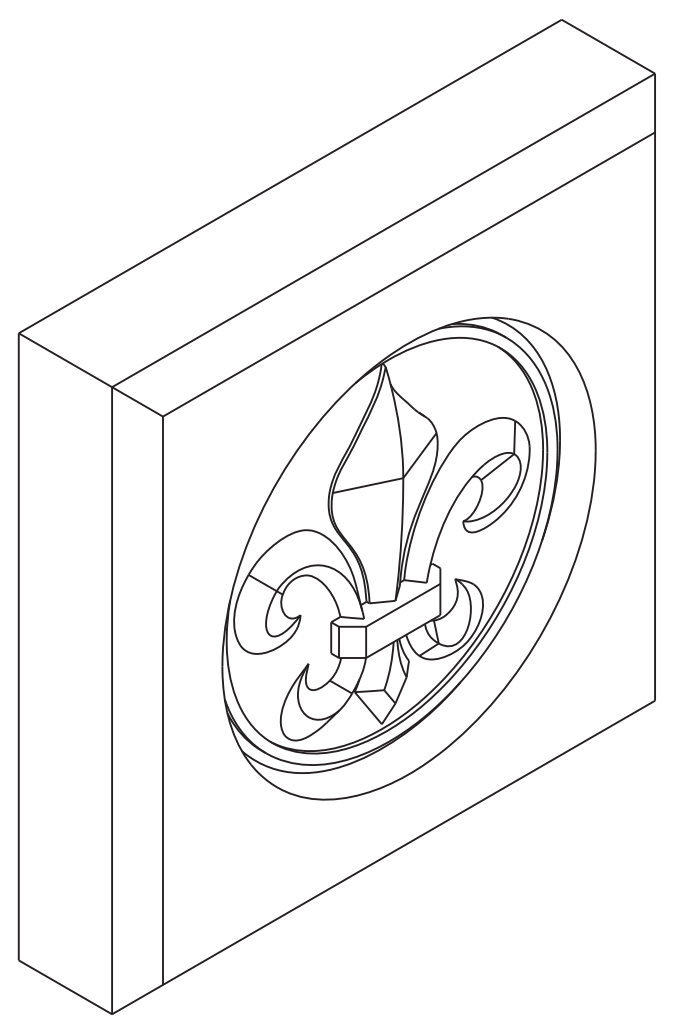
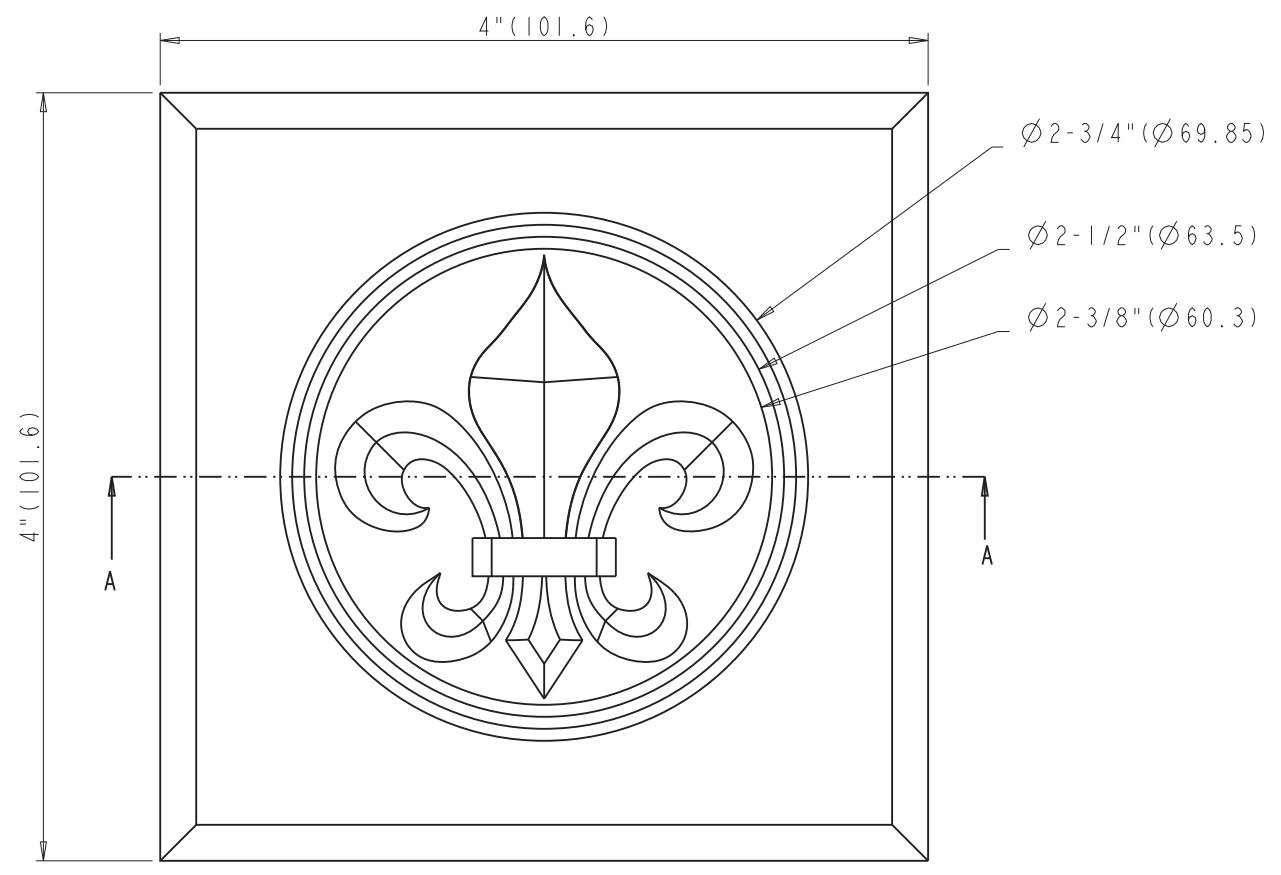


SECTION A-A



	ITEM:	WI40314A		MATERIAL:	WOOD
	FINISH:			WEIGHT:	0.000 g
	PROPRIETARY AND CONFIDENTIAL THE INFORMATION CONTAINED IN THIS DRAWING IS THE SOLE PROPERTY OF HARDWARE RESOURCES INC. ANY REPRODUCTION IN PART OR AS A WHOLE WITHOUT THE WRITTEN PERMISSION OF HARDWARE RESOURCES INC. IS PROHIBITED.			PROJECTION	
				TOLERANCE UNLESS OTHERWISE SPECIFIED: X ±0.20 X.X ±0.10 X.XX ±0.05 ANGULAR: ±0.5°	UNITS:
DO NOT SCALE DRAWING	SIZE:	A4	APPROVED BY:	<i>Hugo.cai</i>	DATE:
	SHEET:	1 OF 1	RELEASE LEVEL:		REVISION: